





### Nameplate Specifications

Output HP	0.75 Hp	Output KW	0.56 kW
Frequency	60 Hz	Voltage	115 V
Current	11.2 A	Speed	1725 rpm
Service Factor	1	Phase	1
Efficiency	66 %	Power Factor	0
Duty	Continuous	Insulation Class	B
KVA Code	L	Frame	56Z
Enclosure	Drip Proof	Thermal Protection	N/R
Ambient Temperature	40 °C	Drive End Bearing Size	6203
Opp Drive End Bearing Size	6203	UL	Recognized
CSA	Yes	CE	N

### Technical Specifications

Electrical Type	Split Phase	Starting Method	SM
Poles	4	Rotation	Counterclockwise/Clockwise
Mounting	Rigid Base	Motor Orientation	HOR
Drive End Bearing	BALL	Opp Drive End Bearing	Ball
Frame Material	Rolled Steel	Overall Length	11.29 in
Frame Length	6.62 in	Shaft Diameter	0.630 in
Shaft Extension	2.25 in		
Connection Drawing	52A105377AA	Outline Drawing	52A109568P2

This is an uncontrolled document once printed or downloaded and is subject to change without notice. Date Created:03/11/2020

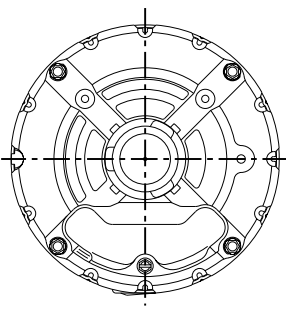
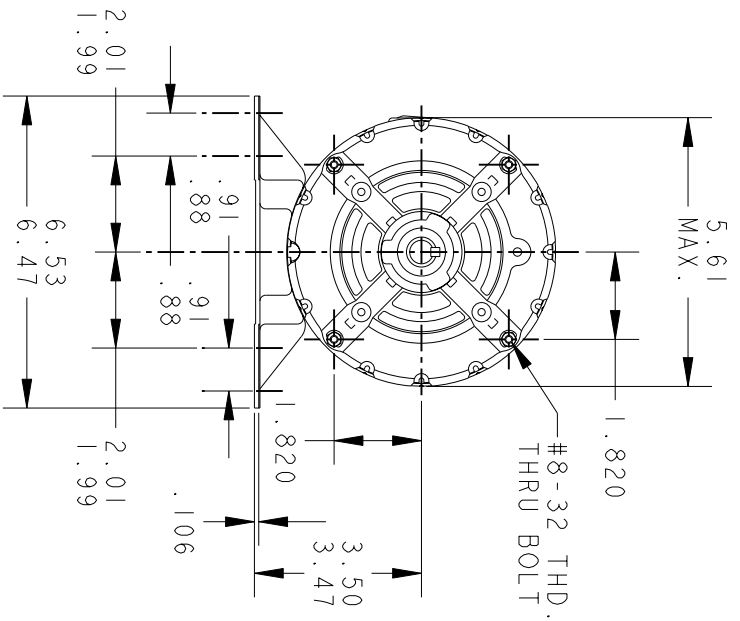
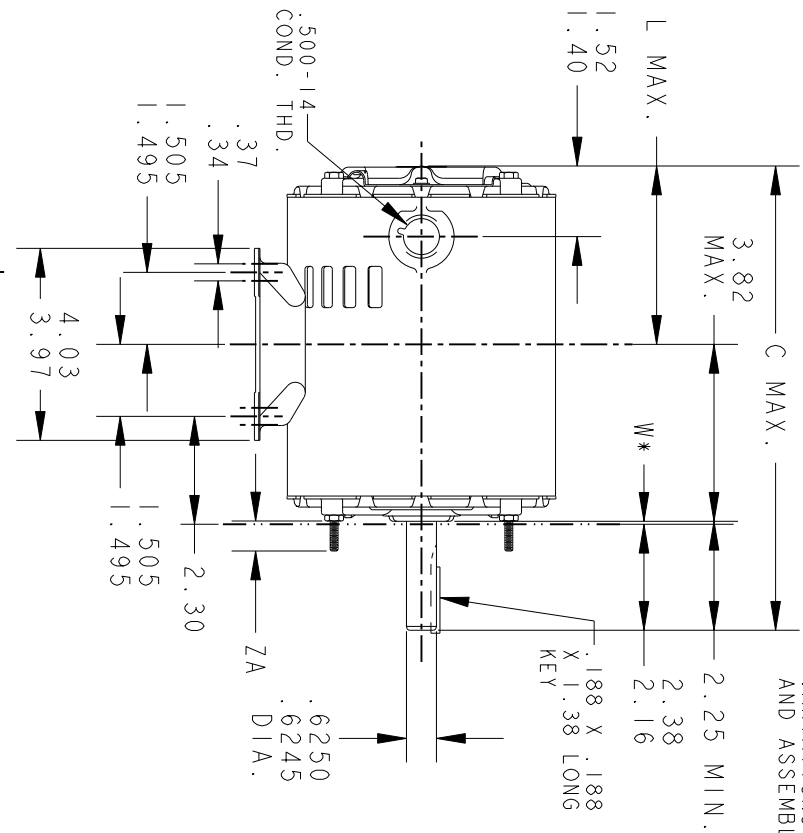
THIRD ANGLE PROJECTION



REVISIONS

REV.	DESCRIPTION	DATE	APPROVED
1	ADDED PART #2.	08/08/96	M.D. PAPE
2	CHG TO RBC FORMAT PER ISO5-11777	03/17/06	SUDHA

W\* IS A VARIABLE CLEARANCE DUE TO VARIATIONS IN PARTS AND ASSEMBLY.



VIEW SHOWING O.P.E. ENDSHIELD

2	KH	37	56Z	11.29	4.13	0.625
1	KH	36	56Z	10.89	3.73	0.625
P	TYPE	GE SIZE	NEMA FR	C	L	ZA

SIGNATURES		DATE
MODEL	M.D. PAPE	05/08/95
DETAIL		
CHECKED		
ENGRG		
MFG		
QUALITY		
ISSUED	M.D. PAPE	05/08/95
SOLID MODEL:	52A109568	

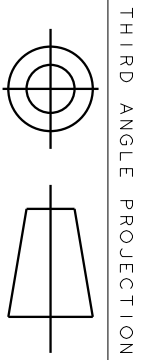


REGAL-BELOTT CORPORATION

TITLE OUTLINE

FORM N GENERAL PURPOSE MOTOR - DP - BALL BEARING - EXT. CLAMP SCREWS - WELDED BASE

SCALE: 0.250	REF. No: .	SHEET 1 of 1
SIZE: DRAWING A	REV 2	



THIRD ANGLE PROJECTION

REVISIONS

REV.	DESCRIPTION	DATE	APPROVED
1	UPDATED FORMAT	11/10/05	MAM

EITHER ROTATION - SINGLE VOLTAGE  
TYPE KC, OR KH



NOTE #1 - TO REVERSE ROTATION INTERCHANGE BLACK (T5-KH OR J9-KC) AND RED (T8) LEADS.

NOTE #2 - WHEN MORE THAN ONE CAPACITOR IS USED CONNECT IN PARALLEL.

REF. DIAG. - 121A850		SWITCH (C) - 115D958AB	
SIGNATURES		CONNECTION LABEL - 52X332047	
MODEL	M.D. PAPER	REGAL-BELOIT CORPORATION	
DETAIL	DATE	REGAL-BELOIT CORPORATION	
CHECKED		CONNECTION DIAGRAM	
ENGRG		FME: 30 FRAME SWITCH REDESIGN	
MFG		52A105377AA	
QUALITY		REV 1	
ISSUED	M.D.P.	SCALE: 1.000 REF. No: .	
APPLIED PRACTICES	DATE	SHEET 1 of 1	
DIMENSIONS ARE IN INCHES			
MATERIAL			